

E/AL-NS 35 - End bracket

1201662

<https://www.phoenixcontact.com/ie/products/1201662>

Please be informed that the data shown in this PDF document is generated from our online catalog. Please find the complete data in the user documentation. Our general terms of use for downloads are valid.



End clamp, for end support of UKH 50 to UKH 240, is pushed onto DIN rail NS 35 and fixed with 2 screws, width: 10 mm, color: aluminum

Your advantages

- Large-surface marking
- The E/AL-NS 35 provides optimum support for large terminal blocks and devices

Commercial data

Item number	1201662
Packing unit	10 pc
Minimum order quantity	10 pc
Sales key	BG
Product key	BE7111
Catalog page	Page 539 (C-3-2019)
GTIN	4017918017439
Weight per piece (including packing)	29.4 g
Weight per piece (excluding packing)	28.76 g
Customs tariff number	76169990
Country of origin	DE

E/AL-NS 35 - End bracket

1201662

<https://www.phoenixcontact.com/ie/products/1201662>

Technical data

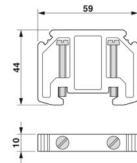
Product properties

Product type	End bracket
--------------	-------------

Connection data

Tightening torque	1.2 ... 2 Nm
-------------------	--------------

Dimensions

Dimensional drawing	
Width	10 mm
Height	59 mm
Depth	44 mm
Depth on NS 35/7,5	45.5 mm
Length	59 mm

Material specifications

Color	silver-colored
Material	Aluminum
Flammability rating according to UL 94	-

Mounting

Mounting type	NS 35/7,5
	NS 35/15

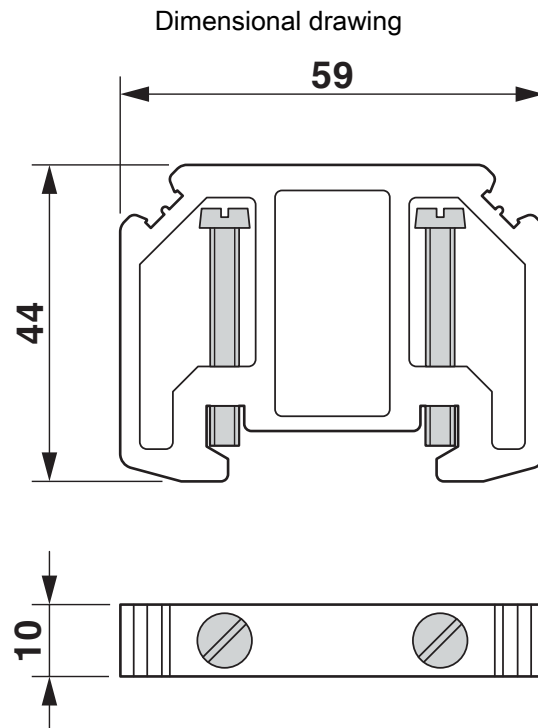
E/AL-NS 35 - End bracket

1201662

<https://www.phoenixcontact.com/ie/products/1201662>



Drawings



E/AL-NS 35 - End bracket



1201662

<https://www.phoenixcontact.com/ie/products/1201662>

Classifications

ECLASS

ECLASS-11.0	27141135
ECLASS-12.0	27141135
ECLASS-13.0	27250302

ETIM

ETIM 9.0	EC001041
----------	----------

UNSPSC

UNSPSC 21.0	39121400
-------------	----------

E/AL-NS 35 - End bracket



1201662

<https://www.phoenixcontact.com/ie/products/1201662>

Environmental product compliance

EU RoHS

Fulfills EU RoHS substance requirements	Yes, No exemptions
---	--------------------

China RoHS

Environment friendly use period (EFUP)	EFUP-E
	No hazardous substances above the limits

EU REACH SVHC

REACH candidate substance (CAS No.)	No substance above 0.1 wt%
-------------------------------------	----------------------------

Phoenix Contact 2025 © - all rights reserved
<https://www.phoenixcontact.com>

Phoenix Contact (Ireland) Ltd
C6 The Exchange, Calmount Park, Ballymount
Dublin 12, D12 XE18
+353/1/2051-300
info@phoenixcontact.ie