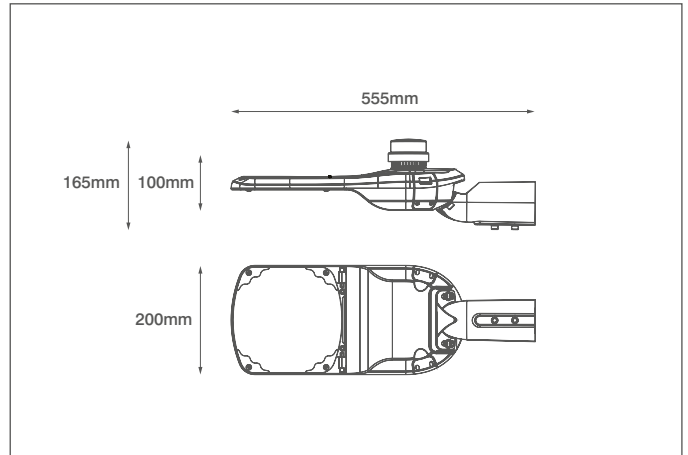
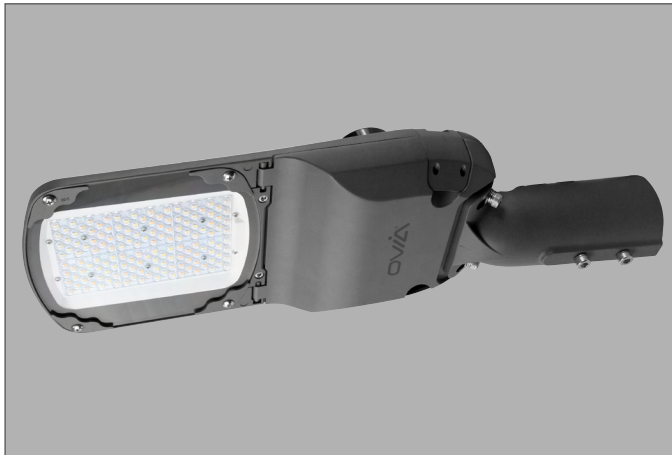


Description: 40W LED Street Luminaire (Nema 3 Pin) IP66 CCT Switch Grey



### General Information

Dimensions (mm)	555 (L) x 200 (W) x 100 (D)
Spigot Diameter (mm)	76
Materials	Body: Powder Coated Aluminium; Diffuser: Glass
Colour	Light Grey (RAL7037)
Product Weight (Kg)	3.66
Ingress Protection	IP66
Impact Rating (IK)	10
Warranty (Years)	5

### Supply & Power Information

Continuous Operating Voltage (AC) (Hz)	100-277 (50/60)
Safety Class	I
Surge Protection Installed	Yes
Circuit Wattage (W)	40
LED Wattage (W)	40
Inrush Current	20A (44.8uS@230V~)
Power Factor	>0.9
Operating Temperature (°C)	-20 to +50
Maximum Critical Temperature (°C)	+90
Input Terminations	3 Pole Screw Terminals

### Luminaire Output

Colour Temperature (K)	3000	4000	6000
Typical Luminous Flux (lm)	5600	6200	5600
Efficacy (lm/W)	140	155	140
Beam Angle (°)	85 x 150 (Type II M)		
Colour Rendering Index (CRI)	>70		
Flicker Free	Yes		
LED Lifetime (L70) (Hours)	50000		

### Dimming Information

Dimmable	No
----------	----

### Compatible Accessories

OV113PC - 3 Pin IP65 Photocell  
OV113WB - 1175mm Wall Bracket - Grey

### Additional Information

Must be mounted higher than 2.8 metres (714.411.2.201 Provisions for basic protection)



OVIA Limited, Scolmore House, Mariner, Lichfield Road Industrial Estate,  
Tamworth, Staffordshire, B79 7UL United Kingdom  
T: +44 (0)1827 300640  
E: sales@oviaUK.com | W: oviaUK.com



Catalogue



Section



DoC



Installation

