

PRODUCT CODE: CL25GA
CONLOK® MALLEABLE CONDUIT BOX



DESCRIPTION

25mm Conlok® Female Adaptor

FINISH

Hot Dipped Galvanised

MATERIAL

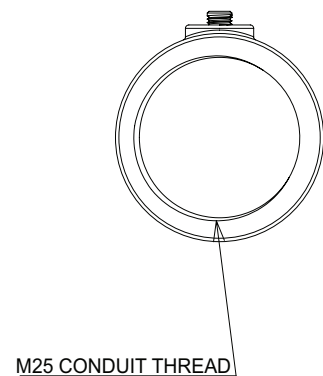
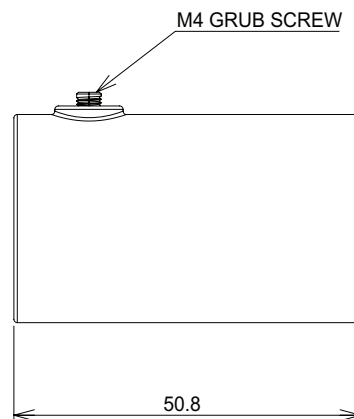
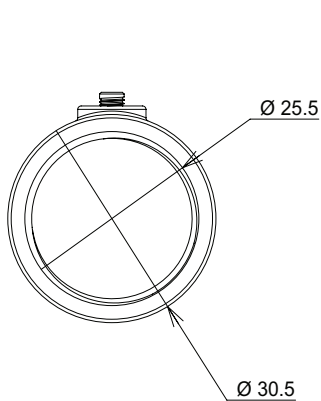
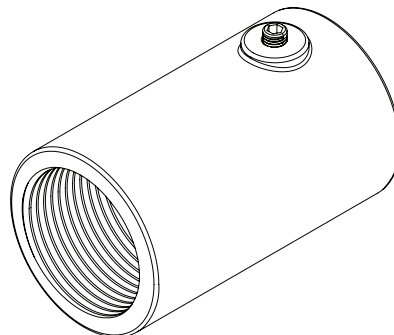
Malleable Iron

PACKAGING

Packed in qty 30

ADDITIONAL NOTES

Conforms to BS EN61386-21:2004
Supplied with 12.9 Grade Grub Screw
1 x Allen key is supplied in each inner box



Ⓢ Values are nominal and with a general tolerance $\pm 5\%$ unless otherwise specified