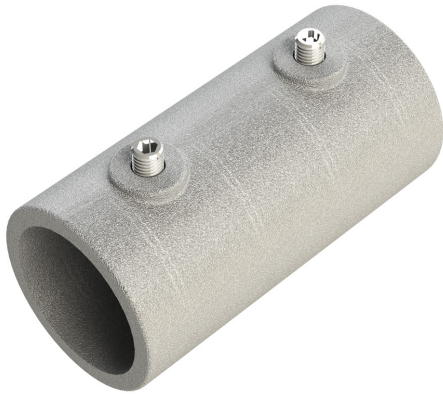


PRODUCT CODE: CL20GC
CONLOK® MALLEABLE CONDUIT BOX



DESCRIPTION

20mm Conlok® Solid Coupler

FINISH

Hot Dipped Galvanised

MATERIAL

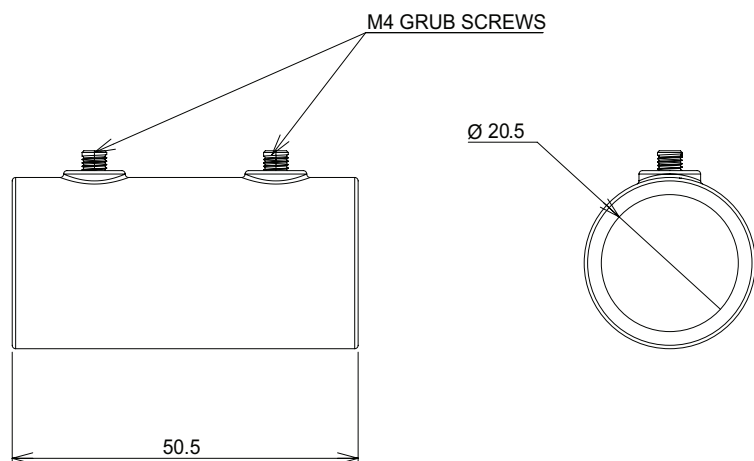
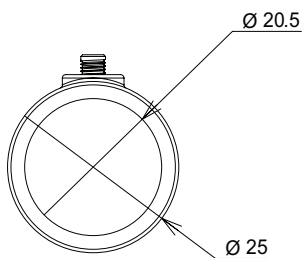
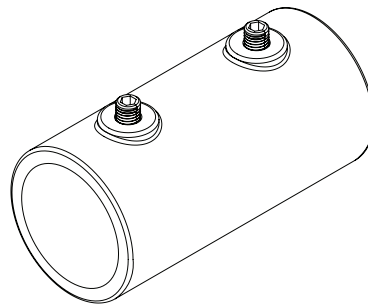
Malleable Iron

PACKAGING

Packed in qty 40

ADDITIONAL NOTES

Conforms to BS EN61386-21:2004
Supplied with 12.9 Grade Grub Screw
1 x Allen key is supplied in each inner box



Ⓢ Values are nominal and with a general tolerance $\pm 5\%$ unless otherwise specified