

PRODUCT CODE: CL11G
CONLOK® MALLEABLE CONDUIT BOX

DESCRIPTION

25mm Malleable Conlok® Tee Conduit Box

FINISH

Hot Dipped Galvanised

MATERIAL

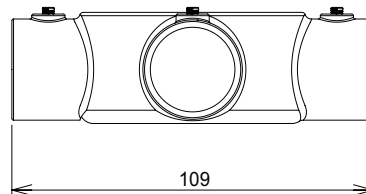
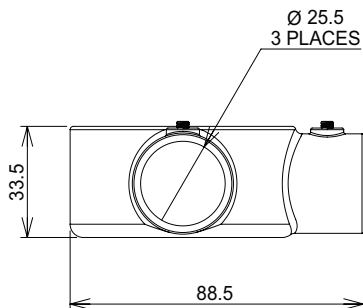
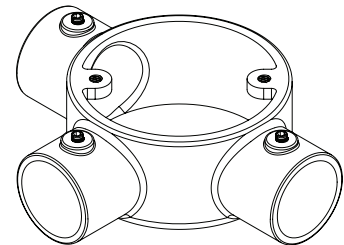
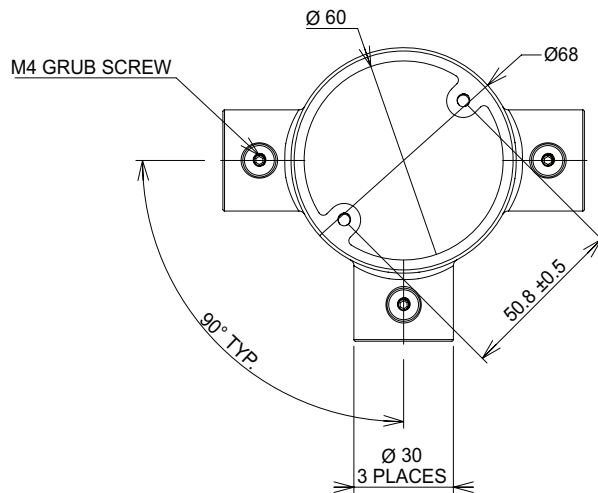
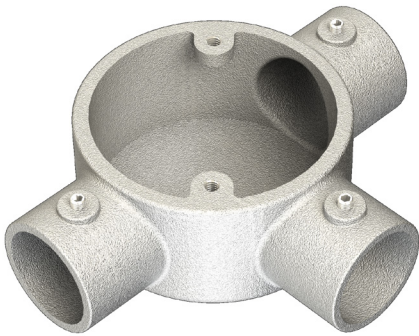
Malleable Iron

PACKAGING

Packed in qty 10

ADDITIONAL NOTES

Conforms to BS EN61386-21:2004
Supplied with 12.9 Grade Grub Screw
1 x Allen key is supplied in each inner box



⊕ Values are nominal and with a general tolerance $\pm 5\%$ unless otherwise specified